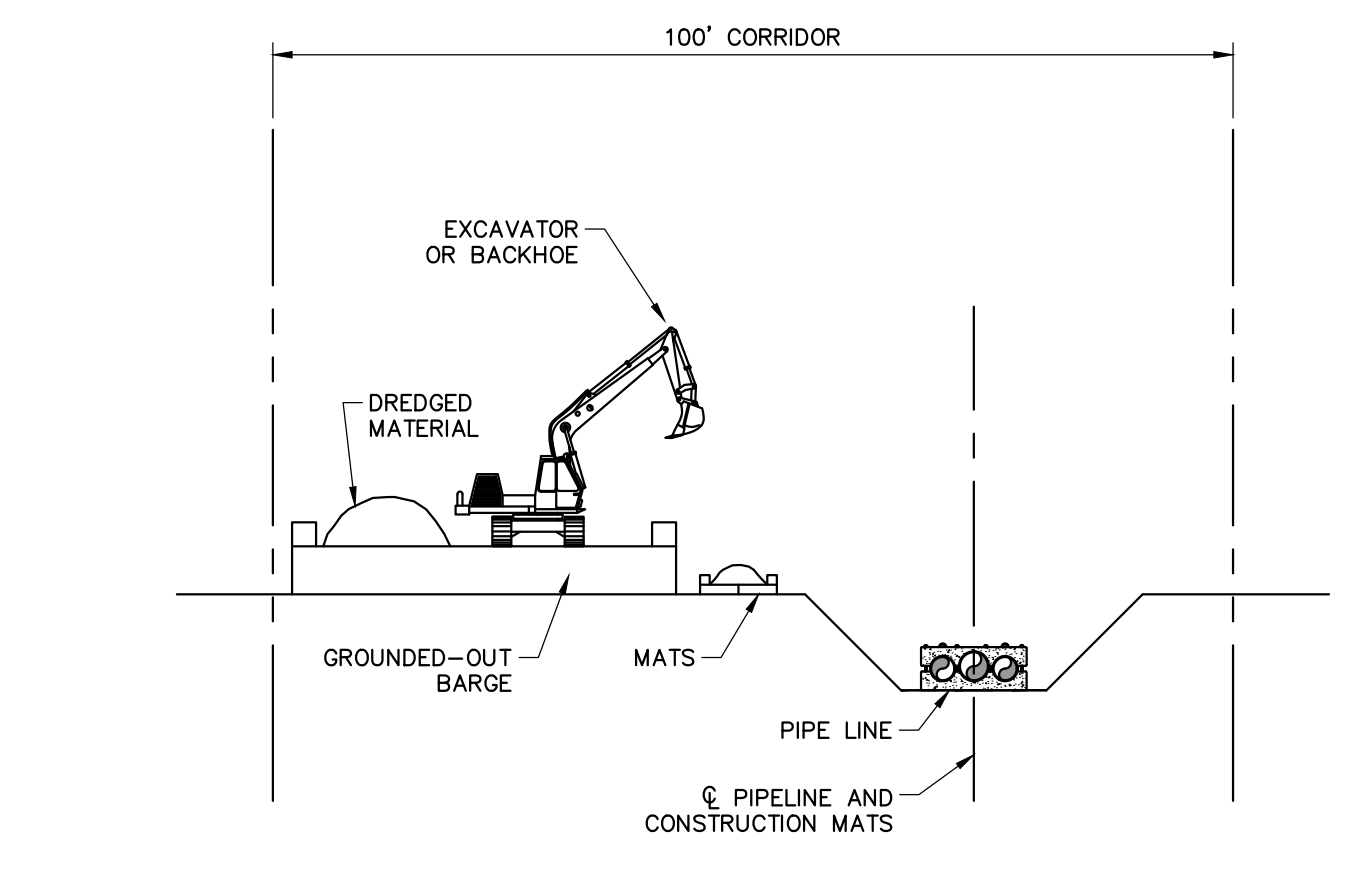
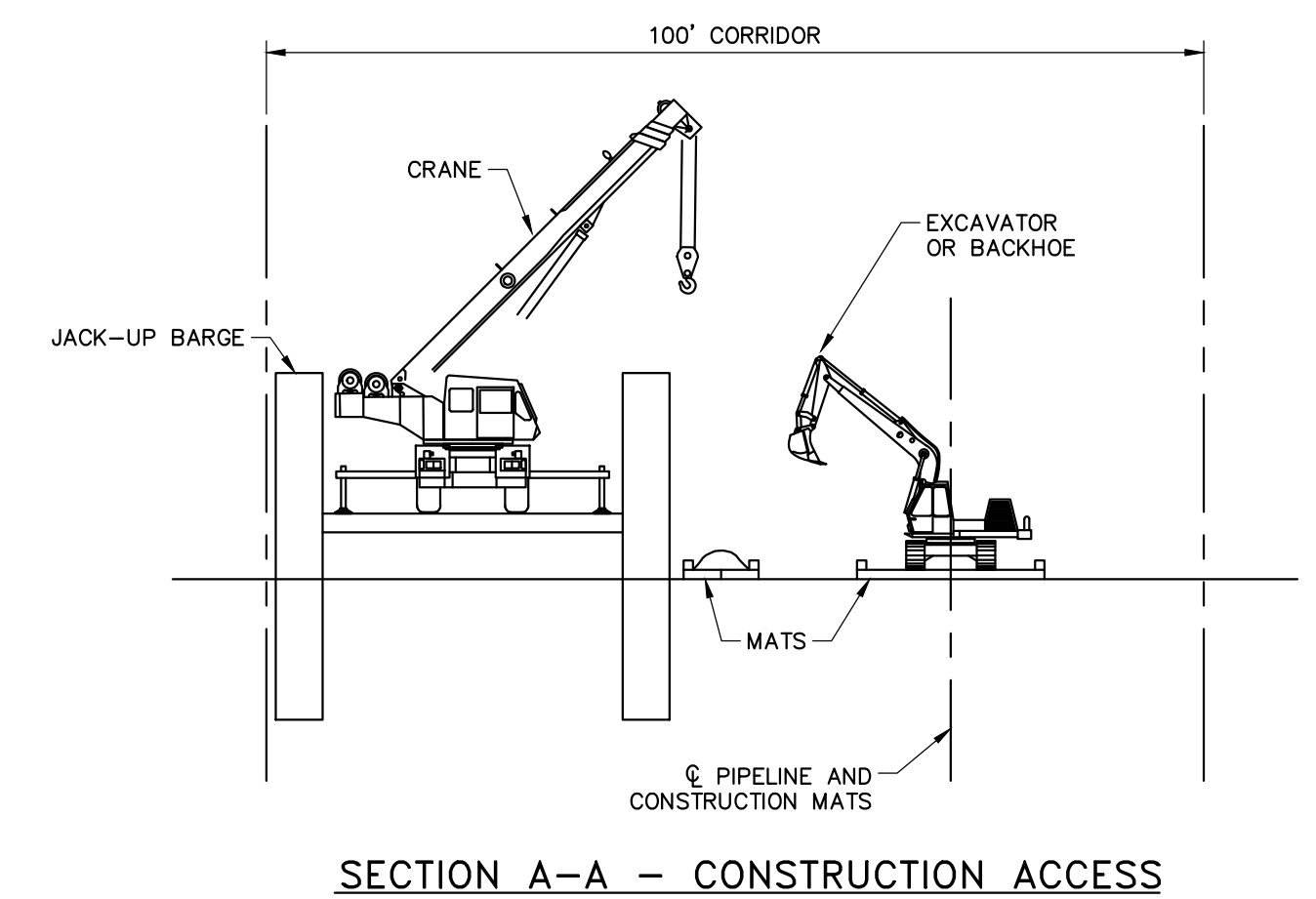
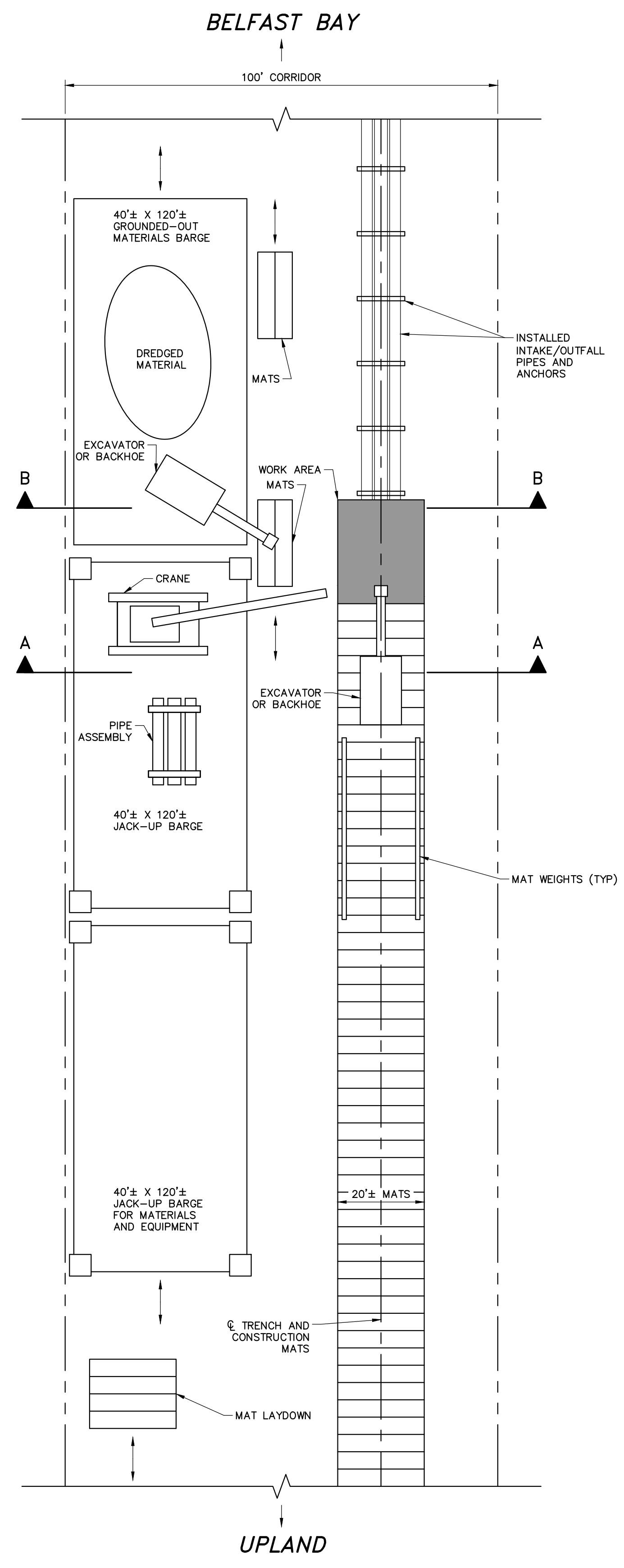


6 INTAKE STRUCTURE DETAIL
SCALE: NOT TO SCALE



7A INTERTIDAL ZONE CONSTRUCTION DETAIL
SCALE: NOT TO SCALE

RANSOM Consulting Engineers and Scientists
41 Hutchins Drive
Portland, Maine 04102
800.426.4262 | www.woodardcurran.com
COMMITMENT & INTEGRITY DRIVE RESULTS

WOODARD & CURRAN

REV	DESCRIPTION	DATE

REVISED FOR PERMIT 12-30-19
CURRENT ISSUE STATUS:

TRUE NORTH:
SMRT Architects and Engineers
144 Fore Street, PO Box 618
Portland, Maine 04104

ARCHITECTURE | ENGINEERING | PLANNING | INTERIORS | ENERGY **SMRT**

NORDIC AQUAFARMS
BELFAST, MAINE

CIVIL DETAILS -2

PROJECT MANAGER: PROJECT NO: 18076
JOB CAPTAIN: **CS502**

NOT FOR CONSTRUCTION